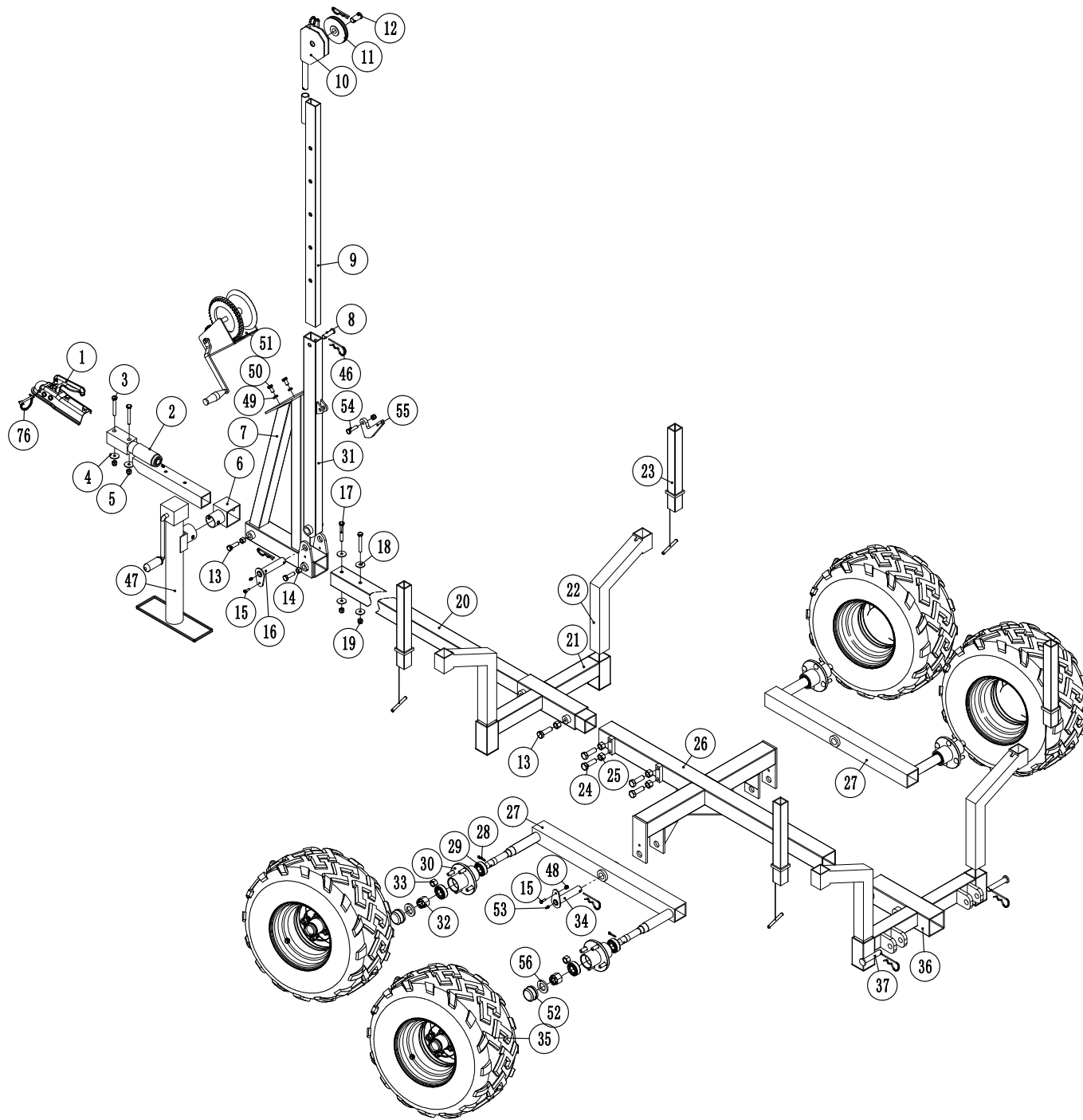
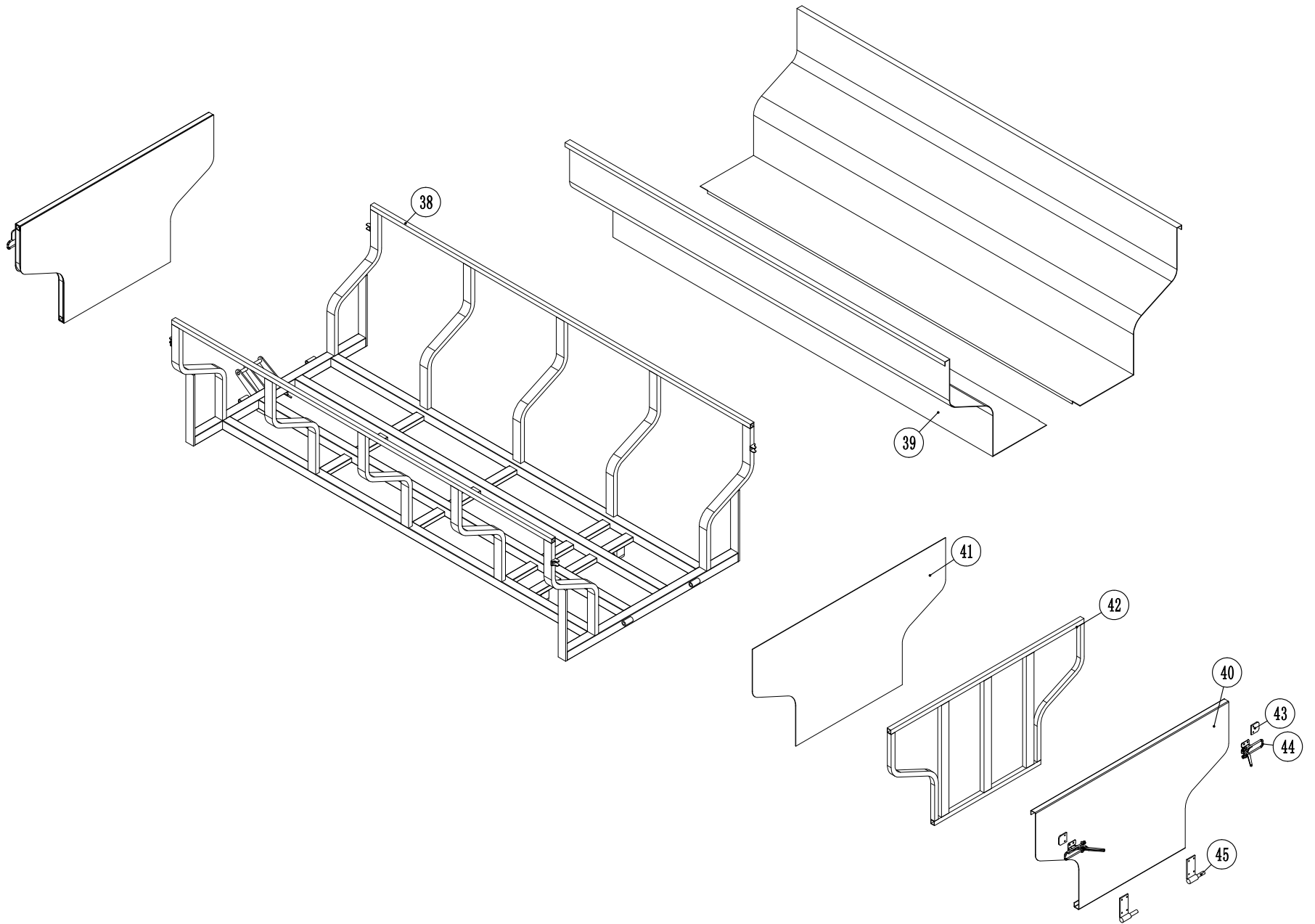


Woodland ATV Trailer
with Straight Boom





Parts List

| Part # | Description | Q'ty | Part # | Description | Q'ty |
|--------|--------------------------|------|--------|--------------------------|------|
| 1 | Ball Coupler | 1 | 30 | Wheel Bearing Hub | 4 |
| 2 | Rotating Hitch | 1 | 31 | Boom | 1 |
| 3 | Hex Bolt M12*70 | 2 | 32 | M24*1.5 Nut | 4 |
| 4 | Flat Wahser | 2 | 33 | Lug Nut | 16 |
| 5 | Locking Nut | 2 | 34 | Walking Beam Swivel Pin | 2 |
| 6 | Jack Support | 1 | 35 | 22x11-10 Tire | 4 |
| 7 | Winch Mount | 1 | 36 | Rear Log Support Holder | 1 |
| 8 | Pin | 1 | 37 | Box Hinge Pin | 2 |
| 9 | Boom Extension | 1 | 38 | Box Frame | 1 |
| 10 | Pulley Housing | 1 | 39 | Box Liner | 2 |
| 11 | Pulley | 1 | 40 | Tailgate Liner - Outer | 2 |
| 12 | Pin | 1 | 41 | Tailgate Liner - Inner | 2 |
| 13 | M16*45 Bolt | 6 | 42 | Tailgate Frame | 2 |
| 14 | M16 Nut | 6 | 43 | Toggle Clamp Latch | 4 |
| 15 | M6*20 Bolt | 3 | 44 | Toggle Clamp | 4 |
| 16 | Boom Swivel Pin | 1 | 45 | Tailgate Hinge | 4 |
| 17 | M10*75 Bolt | 2 | 46 | Clip | 7 |
| 18 | M10 Flat Washer | 4 | 47 | Jack | 1 |
| 19 | M10 Nut | 3 | 48 | M6 Nut | 3 |
| 20 | Tongue | 1 | 49 | M10 Washer | 2 |
| 21 | Front Log Support Holder | 1 | 50 | M10*20 Bolt | 2 |
| 22 | Log Support | 4 | 51 | Winch | 1 |
| 23 | Log Support Extension | 4 | 52 | Wheel Bearing Hub Cap | 4 |
| 24 | M12*40 Bolt | 6 | 53 | Grease Nipple | 4 |
| 25 | M12 Nut | 6 | 54 | M10*40 Bolt | 1 |
| 26 | Chassis | 1 | 55 | Angled Box Support | 1 |
| 27 | Walking Beam | 2 | 56 | Washer | 4 |
| 28 | Pin | 4 | 76 | Ball Coupler Locking Pin | 1 |
| 29 | L44643 Bearing | 8 | | | |